

# 400023

## Orto Multi Power Ceiling LED Bulkhead 3CCT - 3hr Emergency



Orto Bulkhead is a Multi power and 3CCT LED luminaire designed as a modern replacement for traditional 2D fluorescent fittings. Manufactured to an IP54 rating and IK08 impact resistance, it is a reliable solution for stairwells, corridors, residential areas, architectural spaces and many other areas, with an emergency version providing 3-hour backup upon mains failure.

Available in various options including dimmable, sensor, and wireless technology.

### FEATURES

- Power selectable: 18/20/22/24/26/28W
- 3CCT(3000K/4000K/6000K)
- IP54 rated
- IK08 rated
- 5 years warranty (3 years for battery)
- Polycarbonate housing and diffuser
- 3 hours output on mains failure
- Microwave sensor options available
- Dimmable option available
- Various bezels are available



IP54



CRI80



IK08



Multi Power  
Selectable



### AVAILABLE OPTIONS



Sensor/  
Emergency  
& Self Test



Dimmable



Sensor

| Code   | Description  | Wattage                | Colour            | Lumens      |
|--------|--|------------------------|-------------------|-------------|
| 400023 | Orto Multi Power Ceiling LED Bulkhead 3CCT - 3hr Emergency | 18/20/22/24<br>/26/28W | 3000K/4000K/6000K | 2700-4200lm |

### TECHNICAL SPECIFICATION

|                            |             |
|----------------------------|-------------|
| Color Index                | Ra>80, R9>0 |
| Energy efficiency Class    | D           |
| Color consistency in level | SDCM<3      |
| Lumen Efficacy             | 150lm/w     |
| THD                        | <15%        |

0113 426 8300

sales@performance-lighting.co.uk

Unit B8, Astra Business Park,  
Parkside Lane, Leeds LS11 5SZ

www.performance-lighting.co.uk

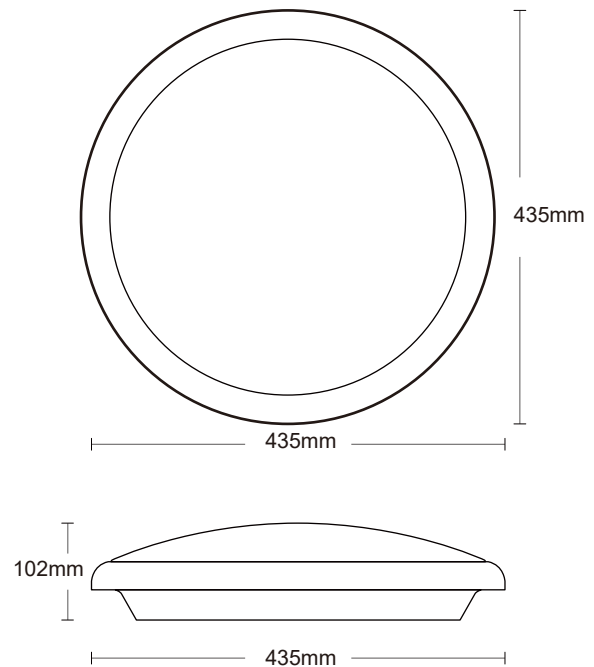
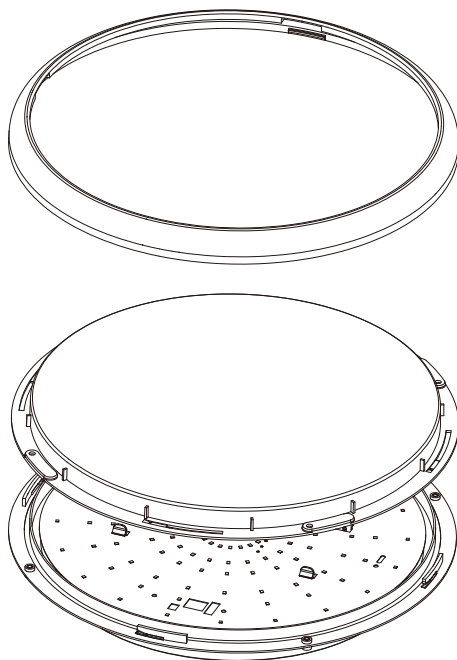


# 400023

## Orto Multi Power Ceiling LED Bulkhead 3CCT - 3hr Emergency

### TECHNICAL SPECIFICATION

|                                |   |
|--------------------------------|---|
| Starting Time                  | <0.5S                                       |
| Switching Cycle before Failure | >10,000 times                               |
| Colour Temperature             | 3000K/4000K/6000K                           |
| MS Function                    | N/A   |
| EM Function                    | 1W/3H (10% output)                          |
| Flicker OR Not                 | Flicker Free                                |
| Power Factor                   | PF>0.95                                     |
| LED current                    | Constant 150mA                              |
| Iput Voltage                   | AC200~240V 50/60Hz                          |
| Working Voltage                | Constant DC36~42V                           |
| IP Rating                      | IP54  |
| Temperature                    | Operation:-15 C ~+50 C Storage:-25 C ~+55 C |
| Life Span                      | 30,000 hours                                |
| Warranty                       | 5 years,EM batteny 3 years warranty         |
| Pst LM/SVM                     | <0.5/<0.2                                   |



☎ 0113 426 8300

✉ [sales@performance-lighting.co.uk](mailto:sales@performance-lighting.co.uk)

Unit B8, Astra Business Park,  
Parkside Lane, Leeds LS11 5SZ

[www.performance-lighting.co.uk](http://www.performance-lighting.co.uk)

